

**COASTAL  
PERFORMANCE**  
by Sunrise Windows, LTD.

# Series 7290 Coastal Performance Double Hung Window

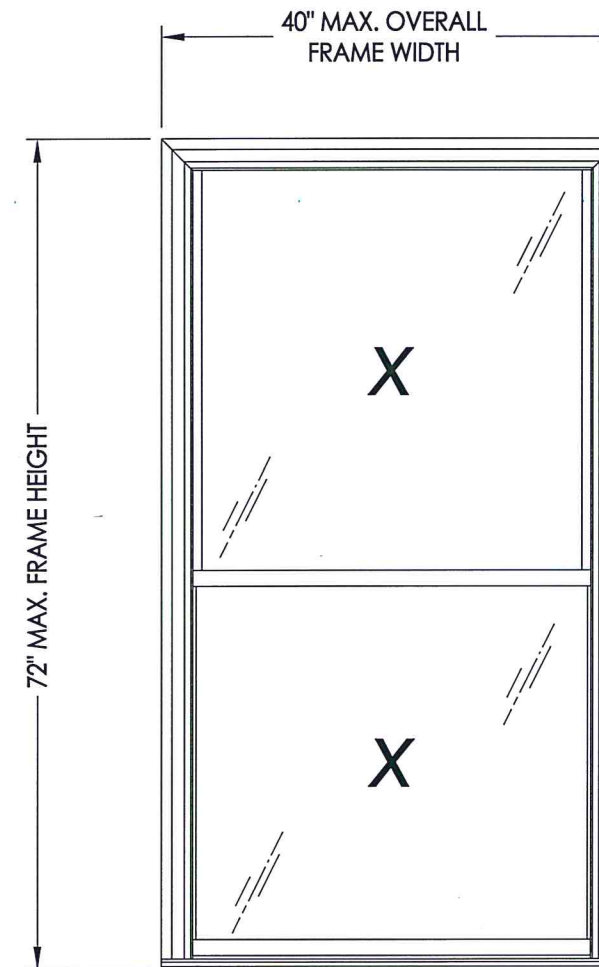
## "IMPACT"

### GENERAL NOTES

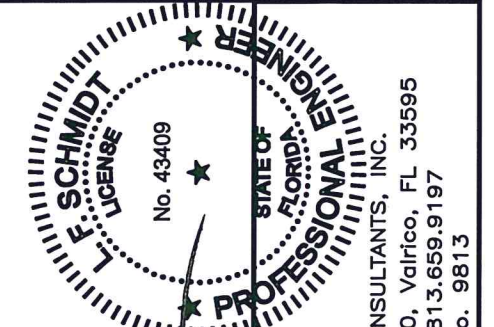
1. This product has been evaluated and is in compliance with the 6th Edition (2017) Florida Building Code (FBC) structural requirements excluding the "High Velocity Hurricane Zone" (HVHZ).
2. Product anchors shall be as listed and spaced as shown on details. Anchor embedment to base material shall be beyond wall dressing or stucco.
3. When used in areas requiring wind borne debris protection this product complies with FBC Sections 1609.1.2 & R301.2.1.2 and does not require an impact resistant covering. This product meets missile level "D" and includes Wind Zone 3 as defined in ASTM E1996 and FBC Sections 1609.1.2.2 & R301.2.1.2.1.
4. For 2x stud framing construction, anchoring of these units shall be the same as that shown for 2x buck masonry construction.
5. Site conditions that deviate from the details of this drawing require further engineering analysis by a licensed engineer or registered architect.

### TABLE OF CONTENTS

SHEET #	DESCRIPTION
1	Typical elevations, design pressures & general notes
2	Vertical & horizontal cross sections
3	Buck & frame anchoring
4	Components
5	Bill of materials and glazing details



MAX. OVERALL FRAME DIMENSION	MAX DAY LITE DIMENSION	GLASS TYPE	DESIGN PRESSURE (PSF)	
			POS.	NEG.
40.0" X 72.0"	34.0" x 32.38"	G1	+50.0	-50.0



Documents Prepared By:  
Lyndon F. Schmidt  
P.E. No. 43409

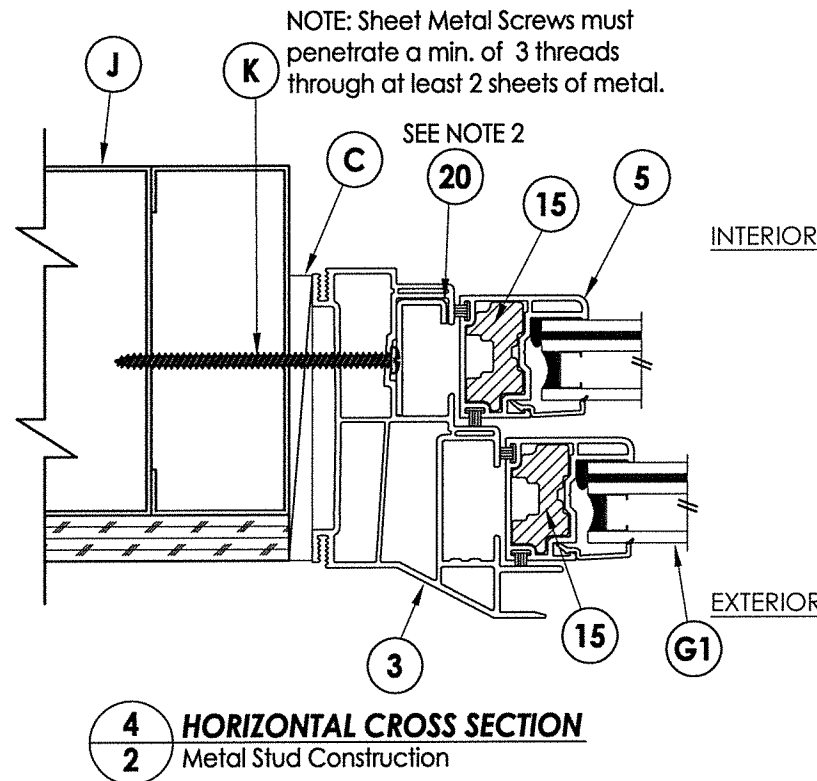
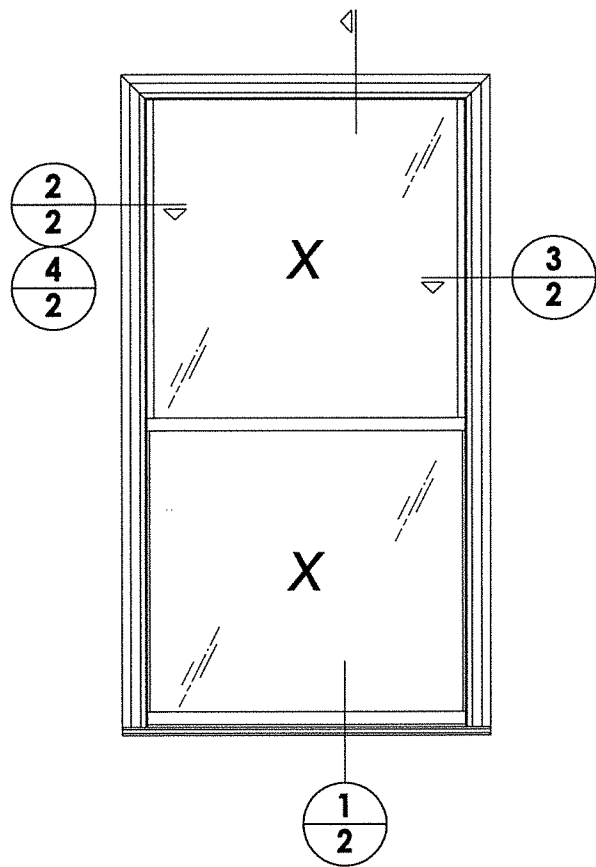
*R.W.* BUILDING CONSULTANTS, INC.  
P.O. Box 230, Valrico, FL 33595  
Phone No.: 813.659.9197  
FBPE C.A. No. 9813

PRODUCT: SUNRISE WINDOWS

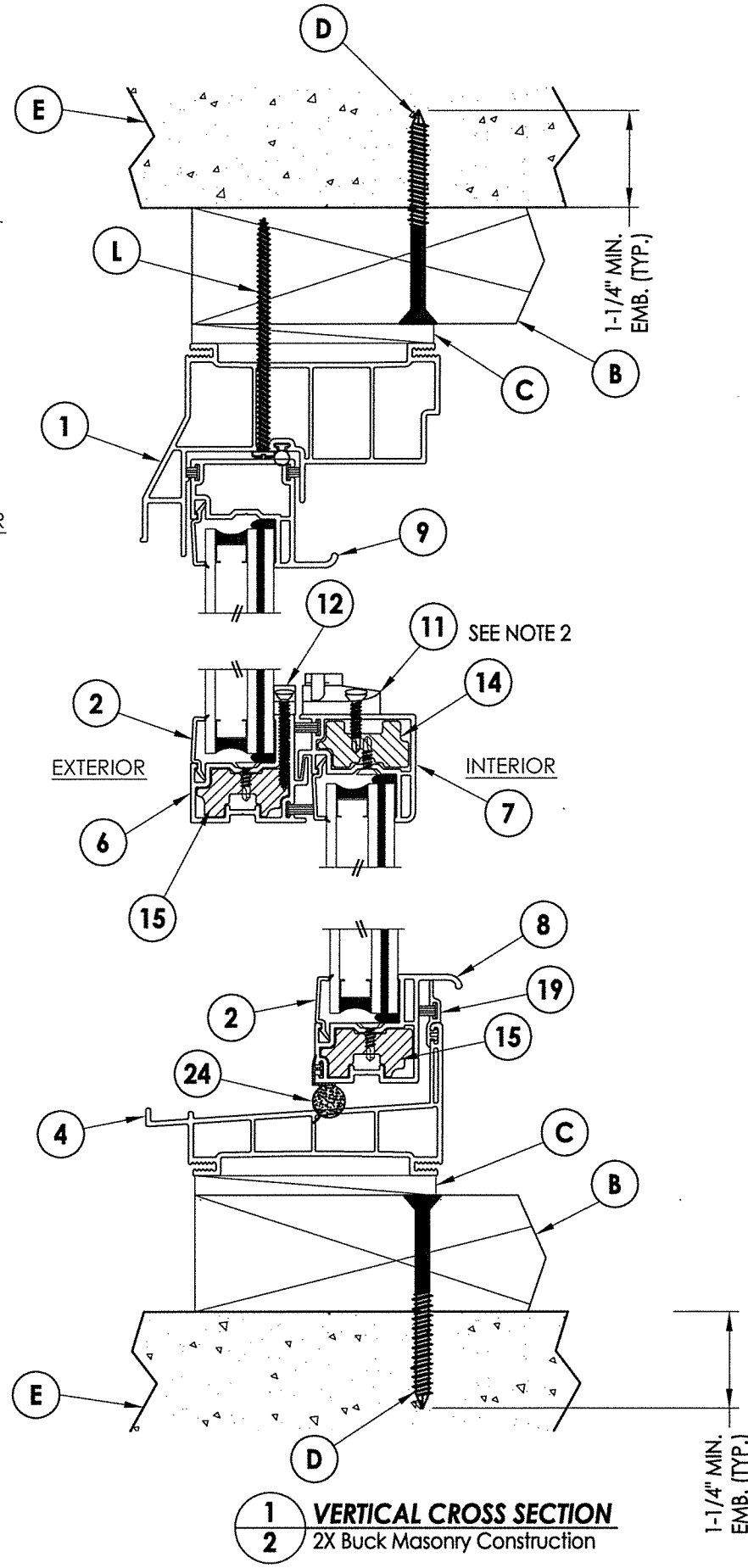
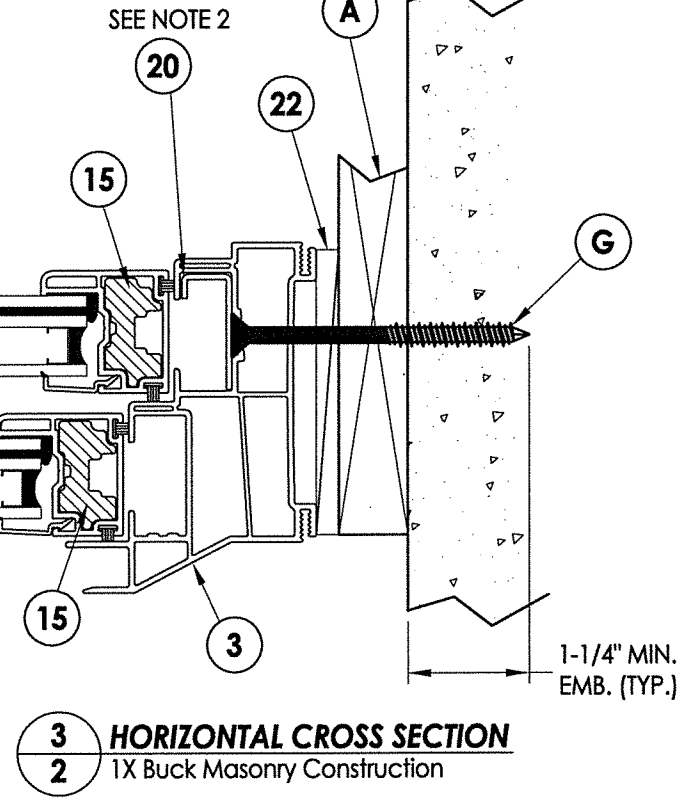
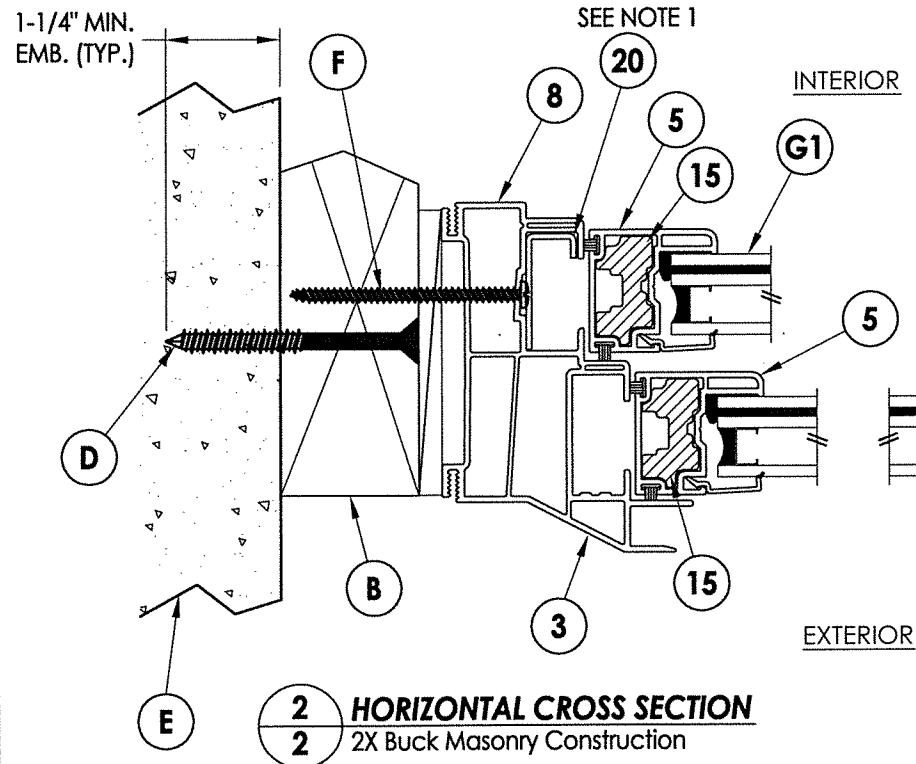
PART OR ASSEMBLY:  
TYPICAL ELEVATION, DESIGN  
PRESSURES & GENERAL NOTES

NO.	DATE	BY	REVISIONS

DATE: 4/17/18  
SCALE: N.T.S.  
DWG. BY: JK  
CHK. BY: LFS  
DRAWING NO.:  
FL-26910.2  
SHEET 1 OF 5



NOTES:  
1. JAMB REINFORCEMENT ATTACHED @ BOTTOM TILT LATCH POSITION w/ (1) #8 x 3/4" FH SMS.  
2. LOCK AND KEEPER LOCATED 9-3/4" FROM EACH END OF LOCK/MEETING RAIL.



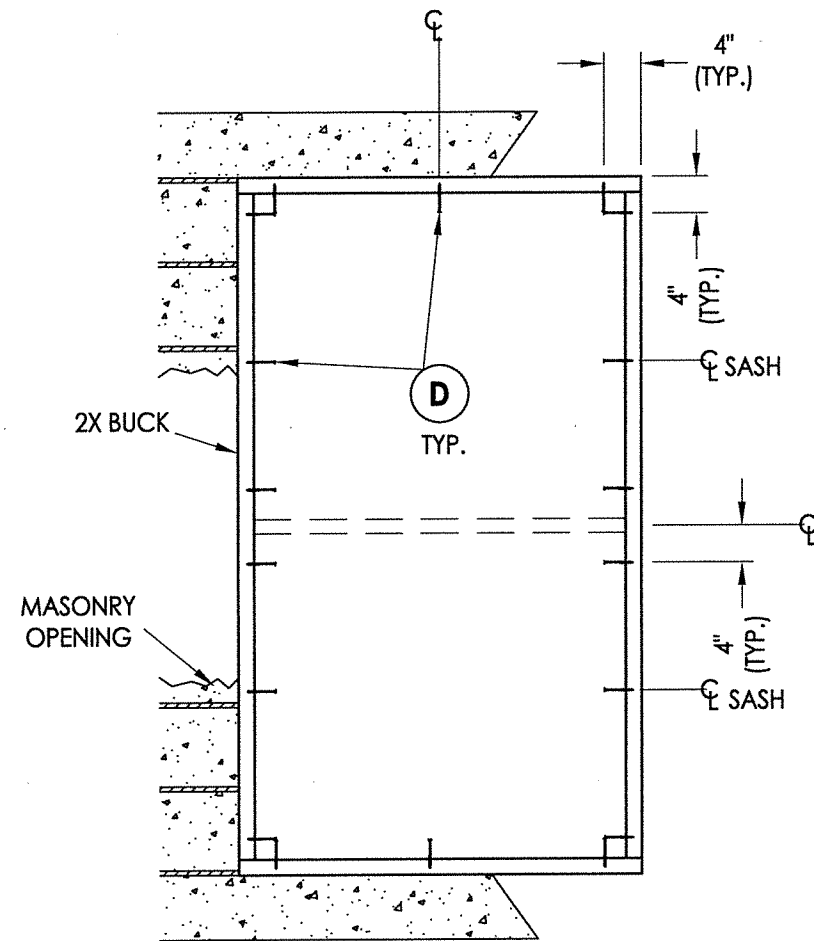
**FLORIDA PROFESSIONAL ENGINEER**  
 L. SCHMIDT  
 LICENSE No. 43409

Documents Prepared By:  
 Lyndon F. Schmidt  
 P.E. No. 43409

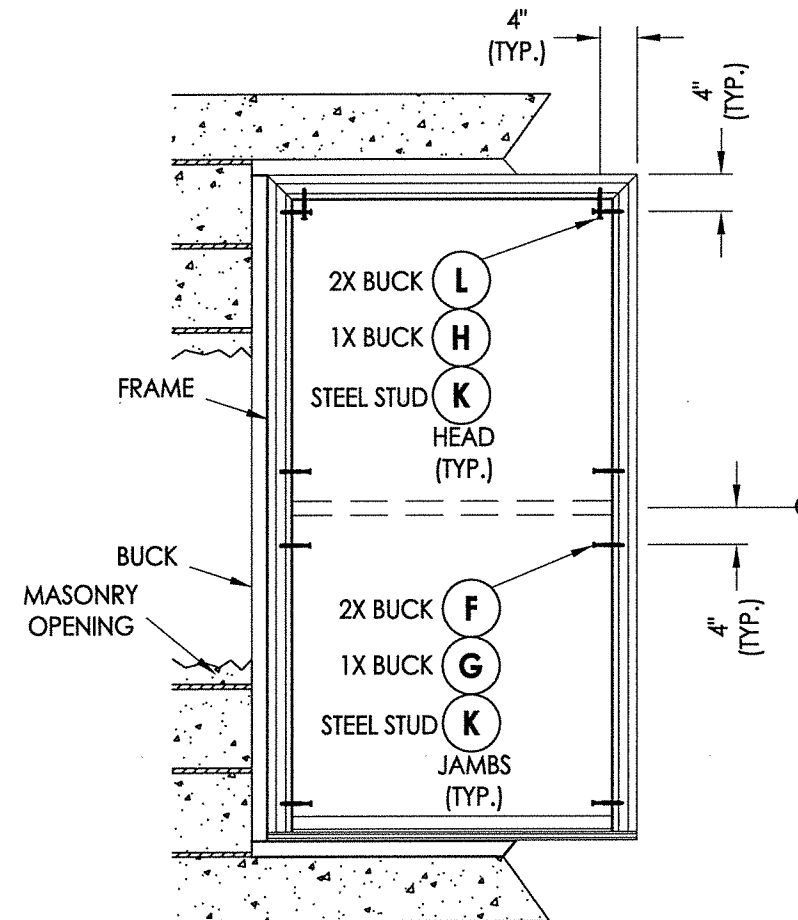
4-20-18

**R.W. BUILDING CONSULTANTS, INC.**  
 P.O. Box 230, Valrico, FL 33595  
 Phone No.: 813.659.9197  
 FBPE C.A. No. 9813

PRODUCT: SUNRISE WINDOWS	
PART OR ASSEMBLY: VERTICAL & HORIZONTAL CROSS SECTIONS	
NO.	DATE
BY	REVISIONS
DATE: 4/17/18	
SCALE: N.T.S.	
DWG. BY: JK	
CHK. BY: LFS	
DRAWING NO.: FL-26910.2	
SHEET 2 OF 5	



**BUCK ANCHORING**



**FRAME ANCHORING**  
2X Buck Masonry Construction

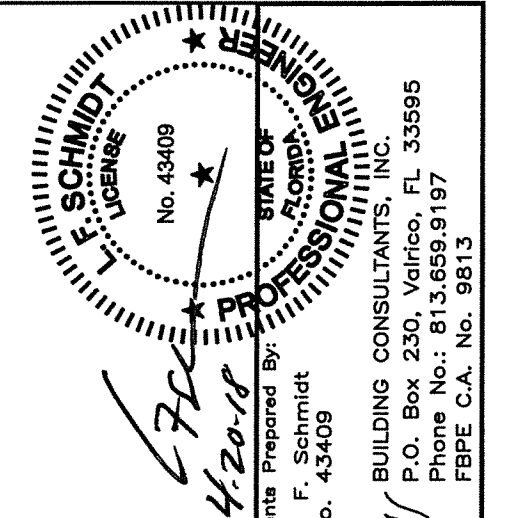
**CONCRETE ANCHOR NOTES:**

1. Concrete anchor locations at the corners may be adjusted to maintain the min. edge distance to mortar joints.
2. Concrete anchor locations noted as "MAX. ON CENTER" must be adjusted to maintain the min. edge distance to mortar joints, additional concrete anchors may be required to ensure the "MAX. ON CENTER" dimension are not exceeded.
3. Concrete anchor table:

ANCHOR TYPE	ANCHOR SIZE	MIN. EMBEDMENT	MIN. CLEARANCE TO MASONRY EDGE	MIN. CLEARANCE TO ADJACENT ANCHOR
ITW TAPCON®	1/4"	1-1/4"	2"	4"
ELCO ULTRACON®	1/4"	1-1/4"	1"	4"

**WOOD SCREW INSTALLATION NOTES:**

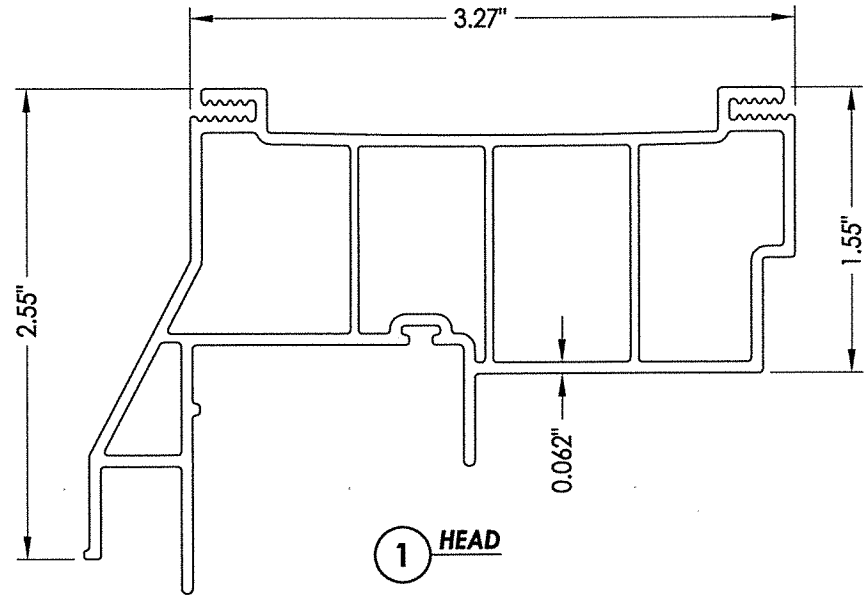
1. Maintain a minimum 5/8" edge distance, 1" end distance, & 1" o.c. spacing of wood screws to prevent the splitting of wood.



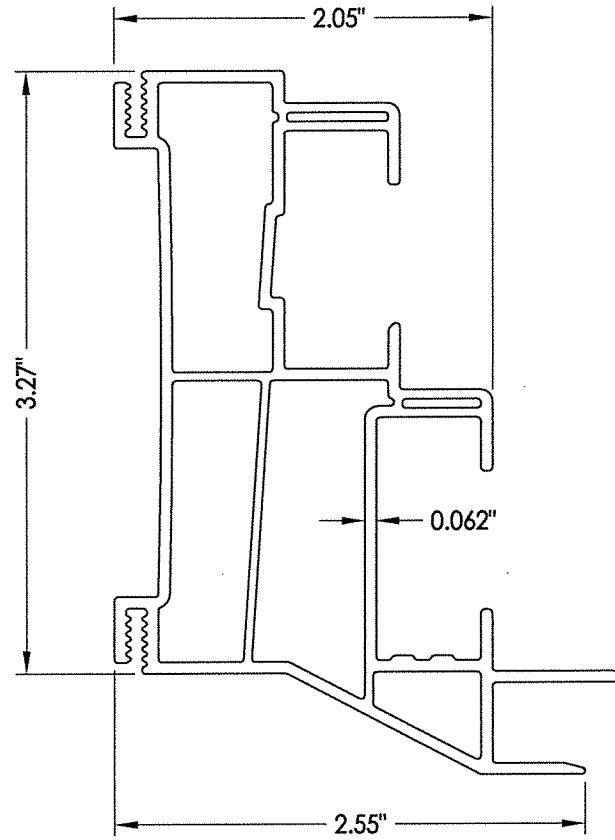
Documents Prepared By:  
Lyndon F. Schmidt  
P.E. No. 43409

**RW**  
BUILDING CONSULTANTS, INC.  
P.O. Box 230, Vairico, FL 33595  
Phone No.: 813.659.9197  
FBPE C.A. No. 9813

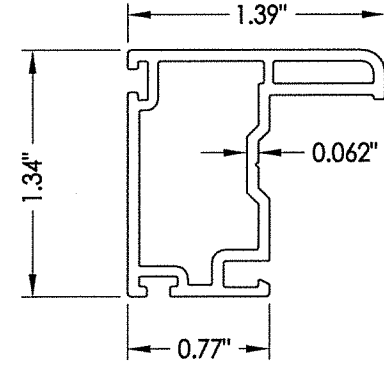
PRODUCT:	SUNRISE WINDOWS	
PART OR ASSEMBLY:	BUCK & FRAME ANCHORING	
NO.	DATE	BY
REVISIONS		
DATE:	4/17/18	
SCALE:	N.T.S.	
DWG. BY:	JK	
CHK. BY:	LFS	
DRAWING NO.:	FL-26910.2	
SHEET	3 OF 5	



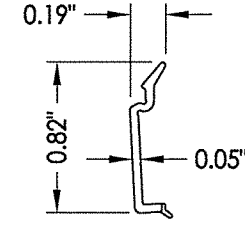
**1 HEAD**



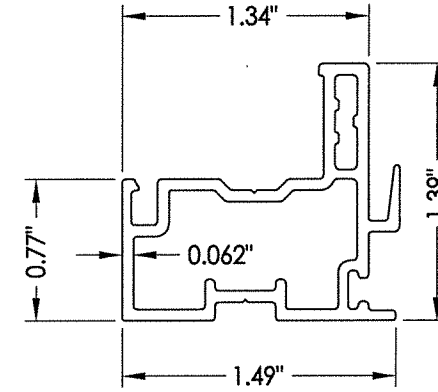
**3 JAMB**



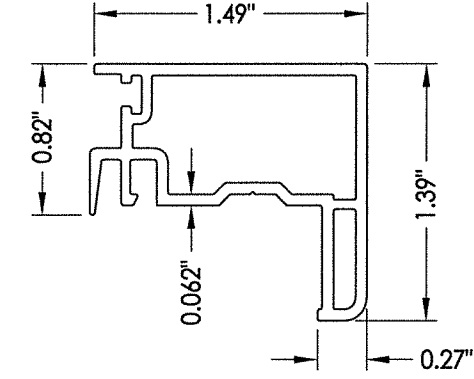
**5 STILE**



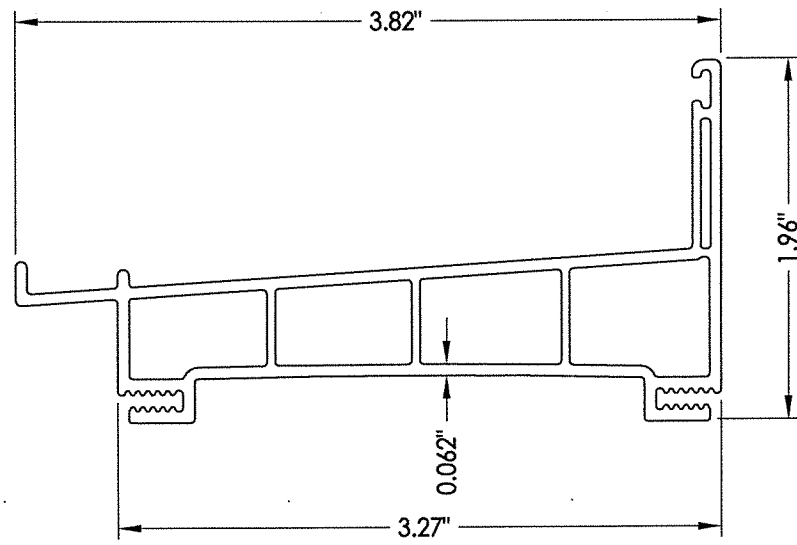
**2 GLAZING BEAD**



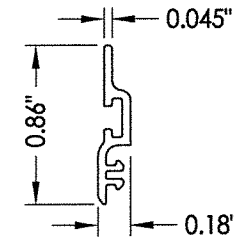
**6 KEEPER RAIL**



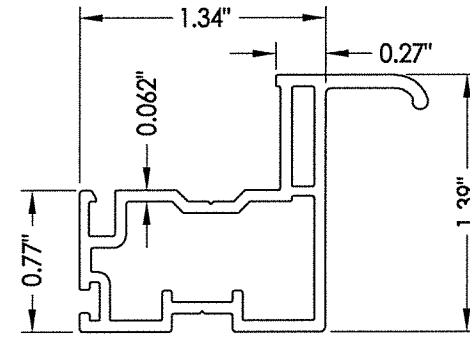
**7 LOCK RAIL**



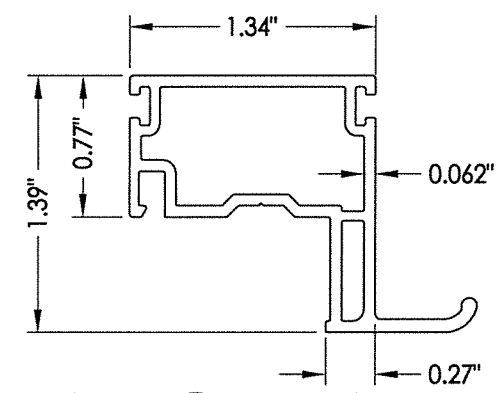
**4 SILL**



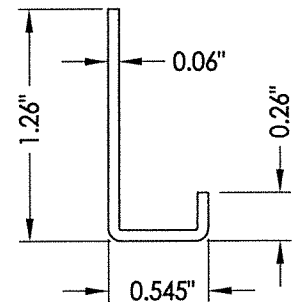
**19 SILL RISER**



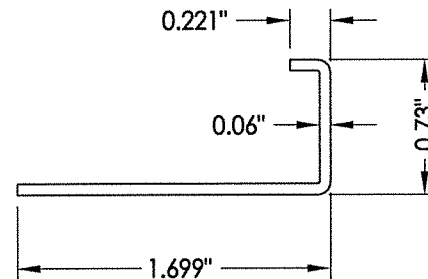
**8 BOTTOM LIFT RAIL**



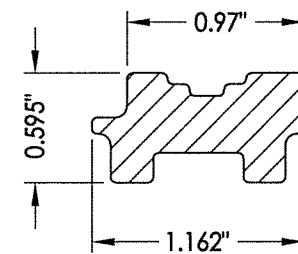
**8 PULL RAIL**



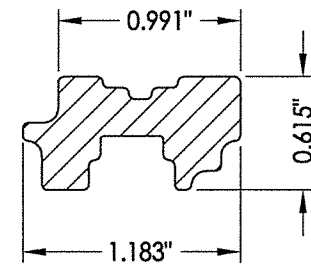
**20 JAMB REINFORCEMENT  
1" WIDE**



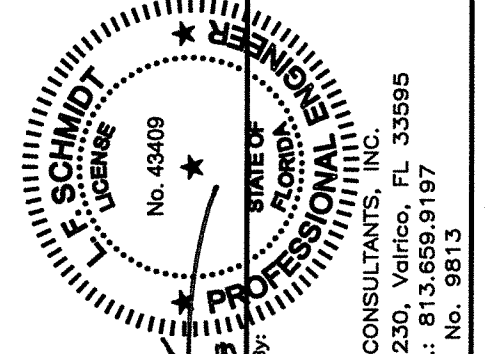
**25 J-CHANNEL REINFORCEMENT  
24" WIDE**



**14 LOCK RAIL REINFORCEMENT**



**15 STILE/RAIL REINFORCEMENT**



*LFS*  
4.20.18

Documents Prepared By:  
Lyndon F. Schmidt  
P.E. No. 43409

**RW** BUILDING CONSULTANTS, INC.  
P.O. Box 230, Vairico, FL 33595  
Phone No.: 813.658.9197  
FBPE C.A. No. 9813

PRODUCT:	SUNRISE WINDOWS
PART OR ASSEMBLY:	COMPONENTS

NO.	DATE	BY

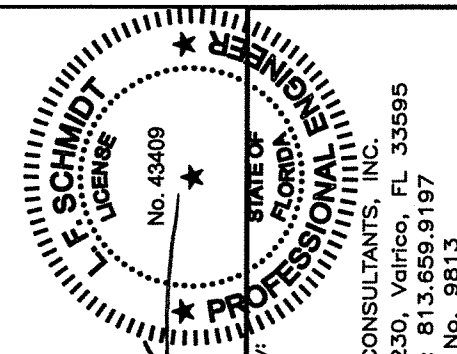
DATE:	4/17/18
SCALE:	N.T.S.
DWG. BY:	JK
CHK. BY:	LFS
DRAWING NO.:	FL-26910.2
SHEET	4 OF 5

R:\Clients\Sunrise Windows\A - Florida Product Approvals\FL-26910 - 7290 Double Hung Coastal Window\C - Drawings\FL 26910 (2017)\FL-26910.1-4.dwg, 5.2

**BILL OF MATERIALS**

ITEM #	DESCRIPTION	MATERIAL
A	2X STUD (SG >= 0.42)	WOOD
B	2X BUCK (SG >= 0.42)	WOOD
C	1/8" MAX. SHIM SPACE	-
D	1/4" X 2-3/4" PFH ELCO OR ITW CONCRETE SCREW	STEEL
E	MASONRY - 3,000 PSI MIN. CONCRETE CONFORMING TO ACI 301 OR HOLLOW BLOCK CONFORMING TO ASTM C90	CONCRETE
F	#8 X 2-1/2" PPH SMS (1-3/16" MIN. EMBEDMENT)	STEEL
G	1/4" X 3-1/4" PFH ELCO OR ITW CONCRETE SCREW	STEEL
H	1/4" X 3-3/4" PFH ELCO OR ITW CONCRETE SCREW	STEEL
J	STEEL STUD Min. Thk .033" (ASTM A653 GRADE 33 Fy=33 ksi min., Fu=45 ksi min.)	STEEL
K	#10 PPH SELF-DRILLING SMS	STEEL
L	#8 X 3" PPH SMS (1-3/16" MIN. EMBEDMENT)	STEEL
1	HEAD (701A)*	RIGID PVC
2	GLAZING BEAD (716A)*	RIGID PVC
3	JAMB (703)*	RIGID PVC
4	SILL (702)*	RIGID PVC
5	STILE (708)*	RIGID PVC
6	KEEPER RAIL (707)*	RIGID PVC
7	LOCK RAIL (706)*	RIGID PVC
8	BOTTOM LIFT RAIL (705)*	RIGID PVC
9	PULL RAIL (715)*	RIGID PVC
11	SASH LOCK	-
12	KEEPER	-
14	LOCK RAIL REINFORCEMENT (948)	COMPOSITE
15	STILE/RAIL REINFORCEMENT (952)	COMPOSITE
19	SILL RISER (719)*	RIGID PVC
20	JAMB REINFORCEMENT (970)	STEEL
24	BULB GASKET (AMESBURY)	FOAM
25	J-CHANNEL REINFORCEMENT (975IP)	STEEL

\* THE APPROVED WHITE RIGID PVC EXTERIOR EXTRUSIONS FOR WINDOWS ARE TO BE PRODUCED BY EXTRUDERS LICENSEES IN "AAMA CERTIFICATION PROGRAMS FOR RIGID PVC EXTRUSIONS".



Documents Prepared By:  
Lyndon F. Schmidt  
P.E. No. 43409

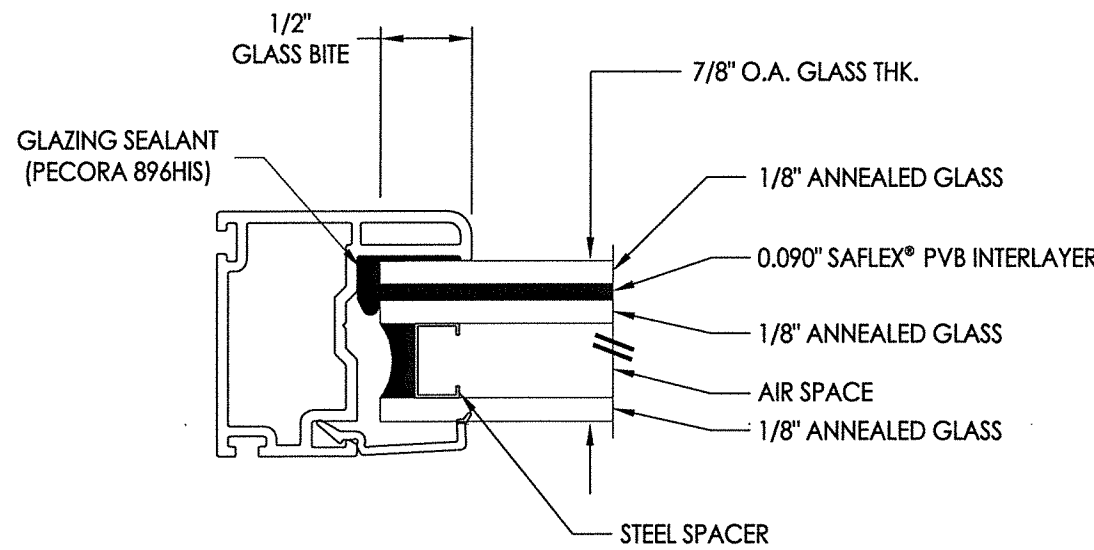
*RW* BUILDING CONSULTANTS, INC.  
P.O. Box 230, Valrico, FL 33595  
Phone No.: 813.659.9197  
FBPE C.A. No. 9813

PRODUCT: SUNRISE WINDOWS

PART OR ASSEMBLY: BILL OF MATERIALS AND GLAZING DETAILS

NO.	DATE	BY	REVISIONS

DATE: 4/17/18  
SCALE: N.T.S.  
DWG. BY: JK  
CHK. BY: LFS  
DRAWING NO.: FL-26910.2  
SHEET 5 OF 5



G1 GLAZING DETAIL